

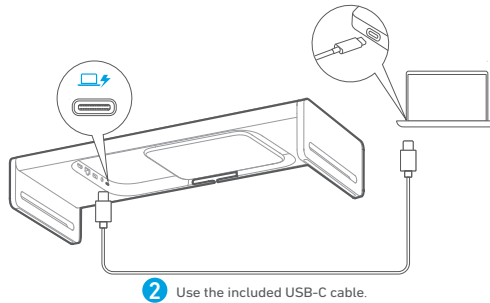
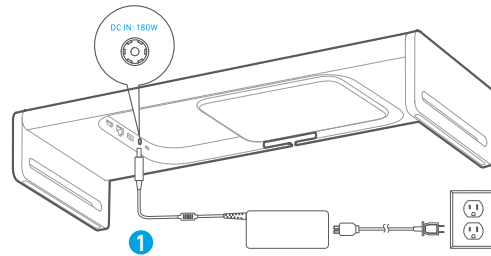


SERIES **6**

Anker 675 USB-C Docking Station (12-in-1, Monitor Stand, Wireless)

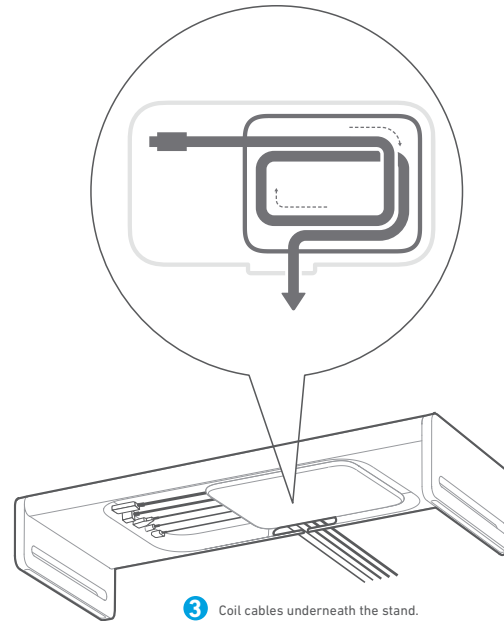
QUICK START GUIDE

Getting Started



2 Use the included USB-C cable.

Managing Cables



3 Coil cables underneath the stand.

For FAQs and more information, please visit:
anker.com/support



@anker_official
@anker_jp



@Anker Deutschland
@Anker Japan
@Anker



@AnkerOfficial
@Anker_JP

Overview

