



Live Charged.

For tutorial videos, FAQs, manuals, and more information, please visit:

<https://support.anker.com>

Or scan the QR code below:



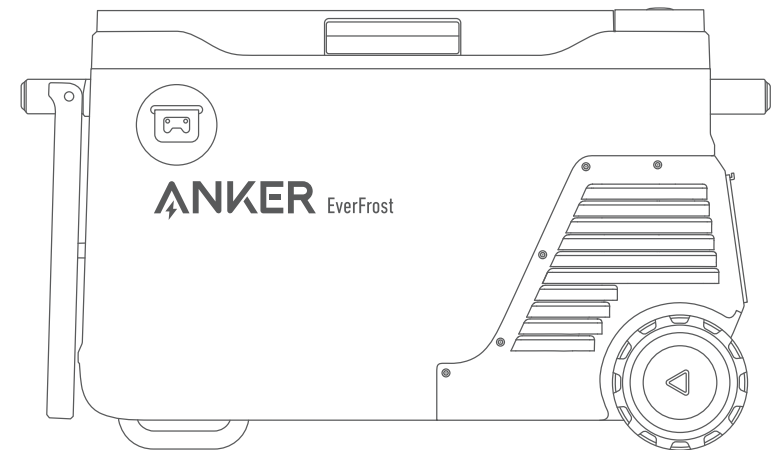
@anker_official
@anker_jp



@AnkerDeutschland
@AnkerJapan
@Anker



@AnkerOfficial
@Anker_JP



Anker EverFrost Powered Cooler 40 USER MANUAL

English 01

日本語 19

Français 33

Attention



Not permitted on aircraft.

Important Safety Instructions

To reduce the risk of injury, users must read the instruction manual.

WARNING: Read all safety warnings and instructions. Failure to follow the warnings and instructions may result in electric shock, fire and/or serious injury.

This appliance is not intended for use by persons (including children) with reduced physical, sensory or mental capabilities, or lack of experience and knowledge, unless they have been given supervision or instruction concerning the use of the appliance by a person responsible for their safety.

Children should be supervised to ensure that they do not play with the appliance.

If the power cord is damaged, it must be replaced by the manufacturer, service agent, or similarly qualified persons in order to avoid a hazard.

The appliance is only to be used with the power supply unit provided with the appliance.

Disconnect the power supply before cleaning and maintenance.

Instructions for appliances incorporating batteries that are intended to be replaced by the user shall include the following:

- Battery type: Rechargeable lithium-ion battery (A17B5)
- Disposal of a battery into a fire or hot oven, or mechanically crushing or cutting off a battery, can result in an explosion.
- **CAUTION:** Risk of explosion if the battery is replaced by an incorrect type. Do not use non-rechargeable batteries!
- A battery subjected to extremely low air pressure may cause an explosion or leakage of flammable liquid or gas. Under abusive conditions, liquid may be ejected from the battery—avoid contact. If contact accidentally occurs, rinse with water. If liquid gets in your eyes, seek medical help as it may cause irritation or burns.
- The battery must be removed from the appliance before it is scrapped.
- The appliance must be disconnected from the main power supply when removing the battery.
- Do not dispose of the battery in heat or fire. The battery is to be disposed of safely.
- When disposing of secondary cells or batteries, keep cells or batteries of different electrochemical systems separate from each other.

WARNING: For the purposes of recharging the battery, only use the detachable supply unit provided with this appliance.

When connecting to the DC power supply, the appliance must only be supplied at safety extra low voltage corresponding to the marking on the appliance.



Detachable Supply Unit GM95-145600-D

- Suitable for camping.

- The appliance shall not be exposed to rain.

Do not store explosive substances such as aerosol cans with a flammable propellant in this appliance.

WARNING: When positioning the appliance, ensure the power cord is not trapped or damaged.

WARNING: Do not place multiple portable socket outlets or portable power supplies at the rear of the appliance.

A child entrapment warning statement shall be included in either the operating instructions or in a use and care manual provided with each refrigerator and shall include the following or equivalent wording:

WARNING: Risk of child entrapment.

Before you throw away your old refrigerator or freezer:

- Remove the doors.
- Leave the shelves in place so children cannot easily climb inside.

Prevent unintentional starting. Ensure the switch is off before connecting to the battery pack, picking it up, or carrying the appliance. Carrying the appliance with your finger on the switch or powering the appliance with the switch on may lead to accidents.

Disconnect the battery pack from the appliance before making any adjustments, changing accessories, or storing the appliance. Such preventive safety measures reduce the risk of starting the appliance accidentally.

Recharge only with the charger specified by the manufacturer. A charger suitable for one type of battery pack may create a risk of fire when used with another battery pack.

Use appliances only with specifically designated battery packs. Use of any other battery packs may create a risk of injury and fire.

When the battery pack is not in use, keep it away from other metal objects, like paper clips, coins, keys, nails, screws, or other small metal objects, that can connect one terminal to another. Burn hazards or fire may occur if the terminals are shorted together.

Under abusive conditions, liquid may be ejected from the battery—avoid contact. If contact accidentally occurs, rinse with water. If liquid gets in your eyes, seek medical help.

Liquid ejected from the battery may cause irritation or burns.

Do not use a battery pack or appliance that is damaged or modified as they may exhibit unpredictable behavior resulting in fire explosion or risk of injury.

Do not expose a battery pack or appliance to fire or excessive temperature. Exposure to fire or temperature above 266°F (130°C) may cause an explosion.

Follow all charging instructions and do not charge the battery pack or appliance outside of the temperature range specified in the instructions. Charging improperly or at temperatures outside of the specified range may damage the battery and increase the risk of fire.

Have servicing performed by a qualified repair person using only identical replacement parts. This will ensure that the safety of the product is maintained.

Do not modify or attempt to repair the appliance or the battery pack except as indicated in the instructions for use and care.

The battery pack must be used with the Anker adapter (GM95-145600-D) for charging.

Do not expose the charger to rain, moisture, or snow.

To reduce the risk of damage to the cigarette lighter plug and cord, pull by plug rather than the cord when disconnecting the charger.

Make sure the cord is placed well so that it will not be stepped on, tripped over, or otherwise subjected to damage or stress.

Do not operate the charger with a damaged cord or cigarette lighter plug—replace it immediately.

Do not operate the charger if it has received a sharp blow, dropped, or otherwise damaged in any way.

Do not disassemble the charger. Take it to a qualified service person when service or repair is required. Incorrect reassembly may result in a risk of electric shock or fire.

To reduce the risk of electric shock, unplug the charger before attempting any maintenance or cleaning. Turning off controls will not reduce this risk.

Please be warned that the unit must be properly assembled in accordance with the assembly instructions before it is used.

Explain and describe the location, function, and operation of each unit control, including all user-operated devices intended to reduce the risk of fire, electric shock, or injury to persons. Please be warned against tampering with such devices.



This symbol indicates that this product shall not be treated as household waste. Instead, it shall be handed over to the applicable collection point for the recycling of electrical and electronic equipment.

FCC Statement

This device complies with Part 15 of the FCC Rules. Operation is subject to the following two conditions: (1) This device may not cause harmful interference, and (2) this device must accept any interference received, including interference that may cause undesired operation.

Warning: Changes or modifications not expressly approved by the party responsible for compliance could void the user's authority to operate the equipment.

Note: This equipment has been tested and found to comply with the limits for a Class B digital device, pursuant to Part 15 of the FCC Rules. These limits are designed to provide reasonable protection against harmful interference in a residential installation.

This equipment generates, uses, and can radiate radio frequency energy and, if not installed and used in accordance with the instructions, may cause harmful interference to radio communications. However, there is no guarantee that interference will not occur in a particular installation. If this equipment does cause harmful interference to radio or television reception, which can be determined by turning the equipment off and on, the user is encouraged to try to correct the interference by one or more of the following measures:

(1) Reorient or relocate the receiving antenna.

(2) Increase the separation between the equipment and receiver.

(3) Connect the equipment into an outlet on a circuit different from that to which the receiver is connected.

(4) Consult the dealer or an experienced radio / TV technician for help.

The following importer is the responsible party.

Company Name: Fantasia Trading LLC

Address: 5350 Ontario Mills Pkwy, Suite 100, Ontario, CA 91764

Telephone: +1-800-988-7973

RF Exposure Compliance Statement

This equipment complies with the FCC/IC radiation exposure limits set forth for an uncontrolled environment. This equipment should be installed and operated with a minimum distance of 0.03ft (20cm) between the radiator and your body.

Cet équipement est conforme aux limites d'exposition aux radiations FCC/IC établies pour un environnement non contrôlé. Cet équipement doit être installé et utilisé avec une distance minimale de 20 cm entre le radiateur et votre corps.

IC Statement

This device complies with Innovation, Science and Economic Development Canada's licence-exempt RSS(s). Operation is subject to the following two conditions: (1) This device may not cause interference, and (2) This device must accept any interference, including interference that may cause undesired operation of the device.

Le présent appareil est conforme aux CNR d'Industrie Canada applicables aux appareils radio exempts de licence. L'exploitation est autorisée aux deux conditions suivantes : (1) l'appareil ne doit pas produire de brouillage, et (2) l'utilisateur de l'appareil doit accepter tout brouillage radioélectrique subi, même si le brouillage est susceptible d'en compromettre le fonctionnement.

The device is in compliance with RF field strength limits, and users can obtain information on RF exposure and compliance.

Le présent appareil est conforme de ce matériel aux conformités ou aux limites d'intensité de champ RF, les utilisateurs peuvent sur l'exposition aux radiofréquences et la conformité d'acquérir les informations correspondante.

This Class B digital apparatus complies with the Canadian ICES-003.

Cet appareil numérique de la classe B est conforme à la norme NMB-003 du Canada.

CAN ICES-003 (B)/NMB-003(B)



Bluetooth:

The Bluetooth® word mark and logos are registered trademarks owned by the Bluetooth SIG, Inc. and any use of such marks by Anker Innovations Limited is under license. Other trademarks and trade names are those of their respective owners.

Manufacturer:

Anker Innovations Limited

Room 1318-19, Hollywood Plaza, 610 Nathan Road, Mongkok, Kowloon, Hong Kong

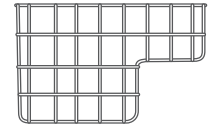
What's in the Box



Anker EverFrost Powered Cooler 40



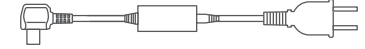
Anker Battery for Powered Cooler



Storage Basket



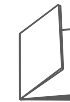
Car Charging Cable



AC Adapter and Charging Cable

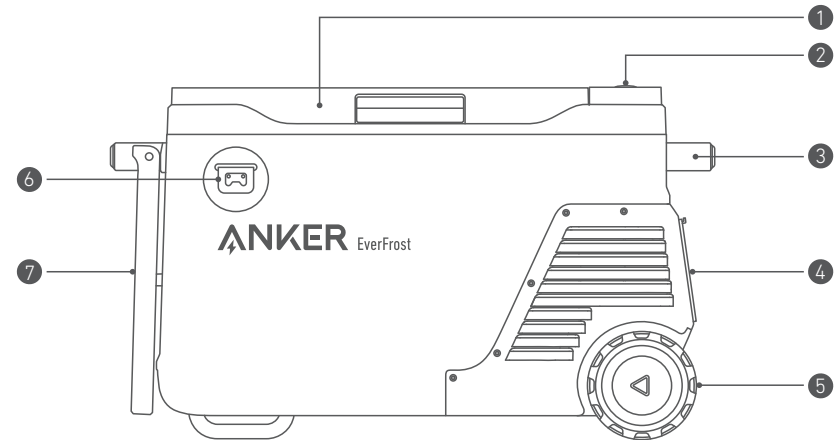


XT-60 Cable



User Manual

Overview

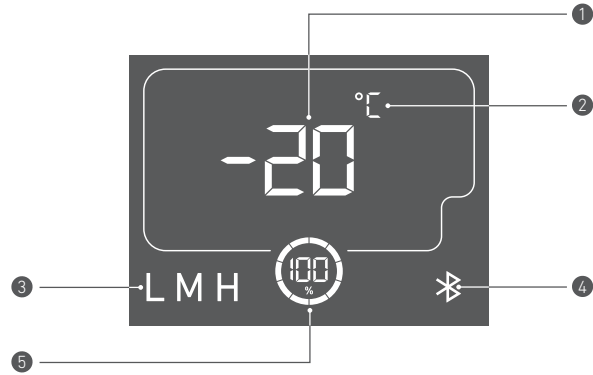


① Cooler Cover	⑤ Wheels
② LCD Screen	⑥ Bottle Opener
③ Handle	⑦ Tray Table
④ Battery Cover	



Prop up the tray and set up the kickstand underneath the cooler.

LCD Screen

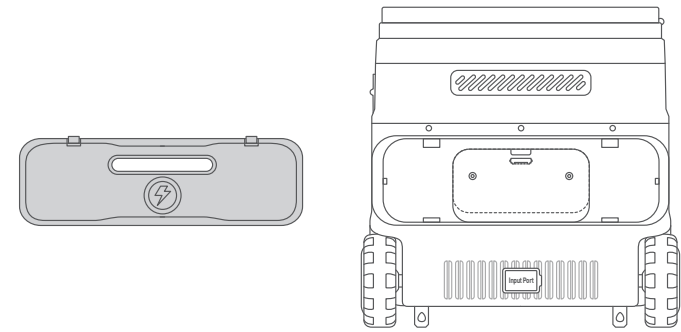


① Temperature	④ Bluetooth
② Temperature Unit	⑤ Remaining Battery in Percentage (if using battery to power)
③ Voltage Protection Level	

Powering Your Cooler

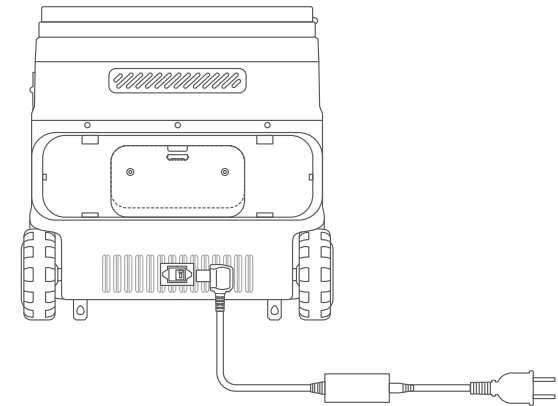
We do not recommend using multiple charging methods at the same time.

Without the Battery



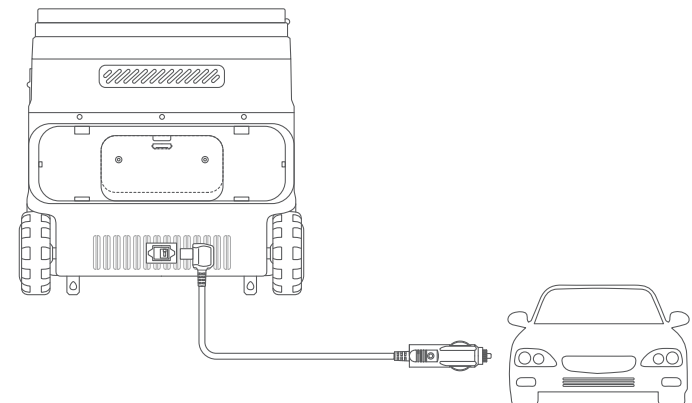
AC Power

Power the cooler by connecting to a wall outlet with the AC charging cable.

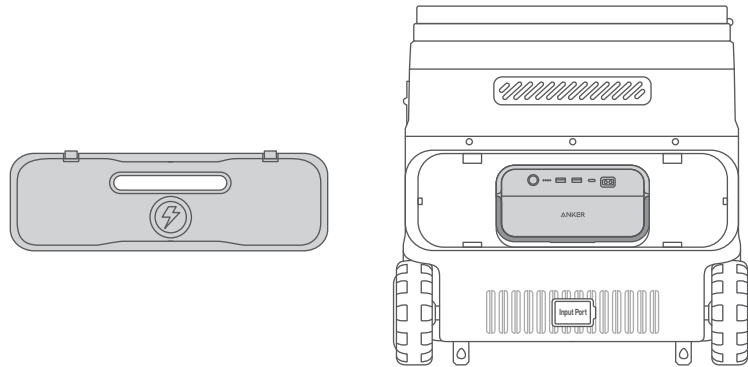


Power via Car

Connect the cooler to a car's output port with the car charging cable.

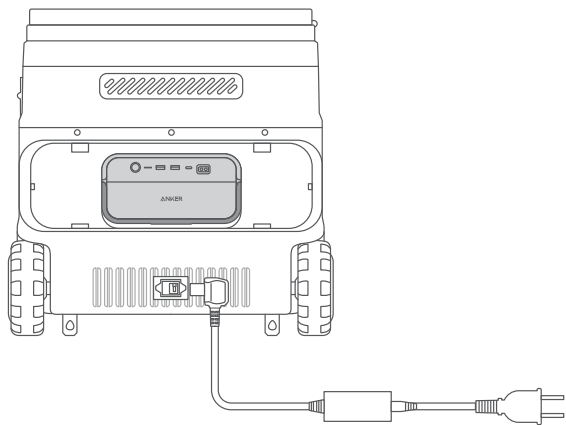


With the Battery



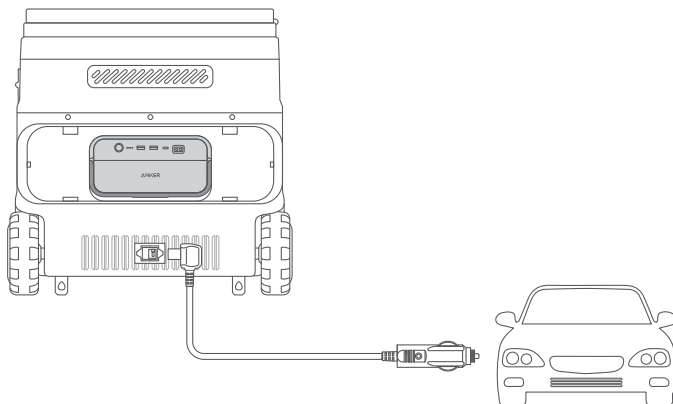
AC Power

Power the cooler by connecting to a wall outlet with the AC charging cable.



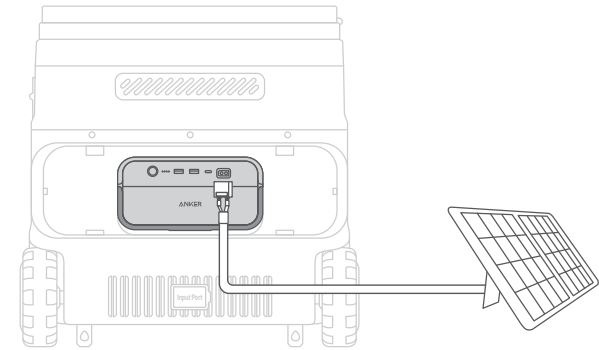
Power via Car

Connect the cooler to a car's output port with the car charging cable.



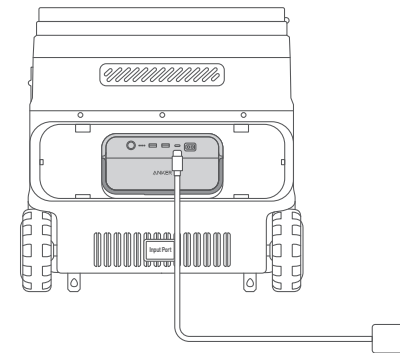
Recharging via Solar Panel

Power the cooler by connecting the battery to a solar panel with an XT-60 to XT-60 cable.



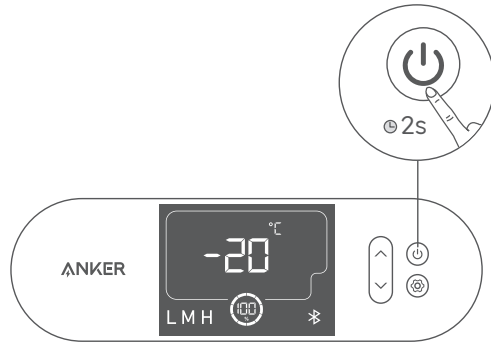
USB-C Recharging

Power the cooler by connecting the battery to a wall outlet with the USB-C cable.

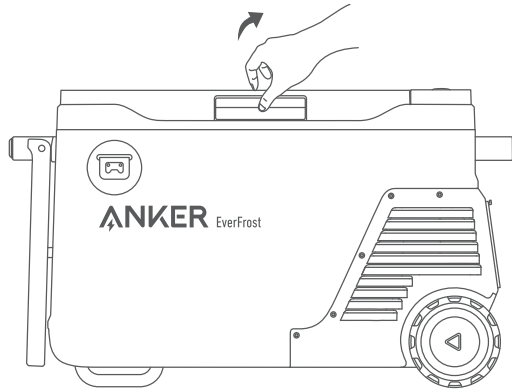


Using Your Cooler

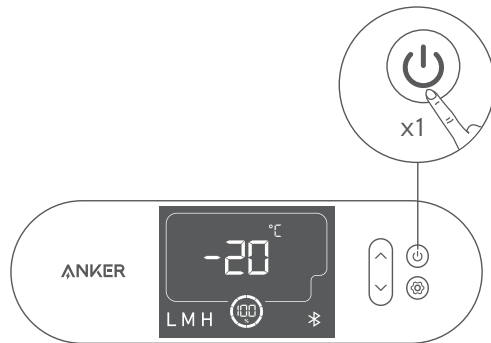
1. Press the power button for two seconds to turn on your cooler. The LCD screen will light up.



2. Push the cover up to open the cooler.

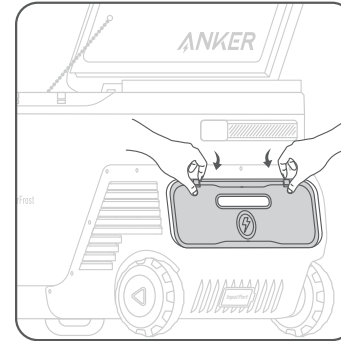


3. Press the power button once to light up the LCD screen.

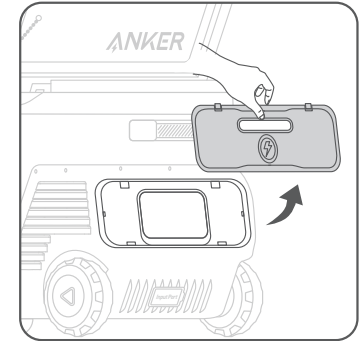


Installing the battery

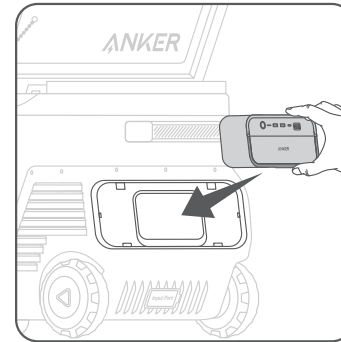
Press the snap-fits to remove the battery cover. Place the battery inside and you will hear a click when the installation is successful. Then, place the battery cover back.



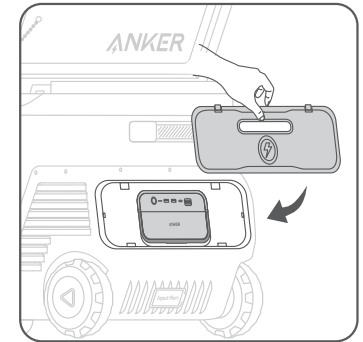
1



2



3

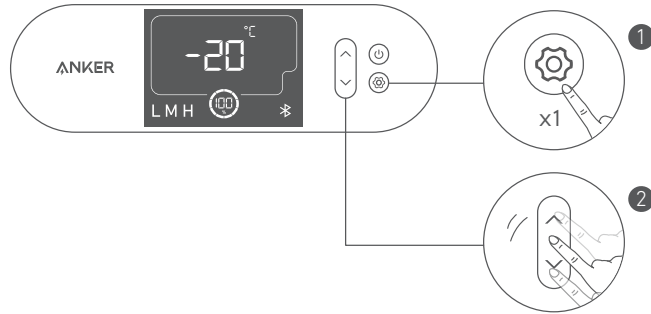


4

 The battery cover will automatically open when lifted up.

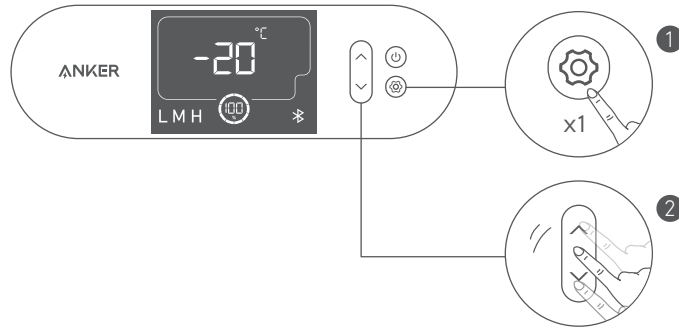
Setting the Temperature

To enter the temperature adjustment mode, press the settings button until the temperature number flashes. Press the up or down buttons to adjust the zone temperature, and confirm your temperature by pressing the settings button again.



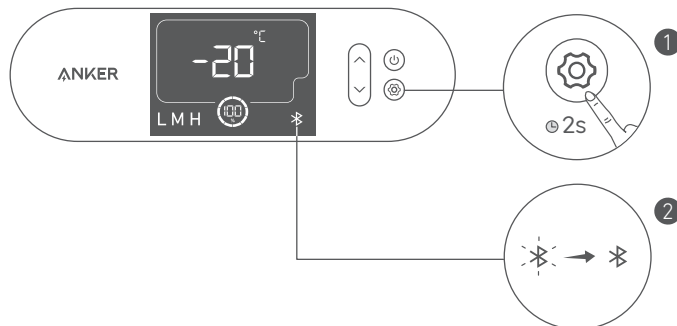
Setting the Temperature Unit


To enter the temperature adjustment mode, press the settings button until the temperature unit icon flashes. Press the up or down buttons to choose between "Celsius/Fahrenheit," and confirm the unit by pressing the settings button again.



Bluetooth

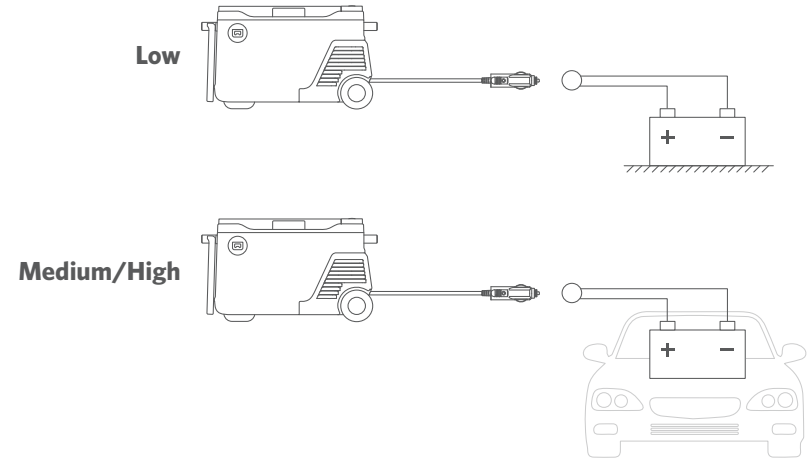
Press the settings button for 2 seconds to turn on Bluetooth. The Bluetooth icon on the screen will flash. It will automatically connect to your phone with Bluetooth on, and the icon will turn steady white.



 The Bluetooth function will be turned off after 12 hours without any connection.

Car Battery Protection Grades

To enter the voltage level adjustment mode, press the settings button until the voltage level icon flashes. Press the up or down buttons to choose between "L/M/H," and confirm it by pressing the settings button again. Select "M/H" gear when the product is powered via a car. It's recommended to select "L" gear when powered by an independent power supply.



	12 V		24 V	
	Operating voltage	Start-up voltage	Operating voltage	Start-up voltage
High	12 V	12.5 V	24.7 V	26.1 V
Medium	11.4 V	12.2 V	24.3 V	25.3 V
Low	10.4 V	11.3 V	21.9 V	22.9 V

When the car's battery voltage is lower than the set value without the battery, your cooler will stop working. When the car's battery voltage is lower than the set value, the cooler switches to its own battery for power supply. Once the car battery is restored, it switches to the car battery's power source.

The Anker App for Smart Control

You can remotely control your powered cooler using the Anker app. Please download the app and its user manual by scanning this QR code.

Connect the device to a network before using the app for the first time. After connecting successfully, you can connect your devices off-grid.



Specifications

Storage Capacity	43L
Battery Capacity	299Wh
AC Input Voltage	100V-240V, 50Hz/60Hz
AC Input Power	95W Max
DC Input	5.5A(12V)/ 2.5A(24V)
Refrigerant	R134a(34g)
Size	73.2 x 43.0 x 48.7cm
Net Weight	21.8kg/48lb
Temperature Range In the Fridge	-20 ~ 20° C / -4~68° F
Operating Temperature Range	0 - 40°C / 32 ~ 104° F

Troubleshooting

- Reminder to Close Doors: The buzzer will send a reminder if the cooler's cover is not closed for more than 180 seconds.
- The cooler will stop working if the tilt angle exceeds 30 degrees. Place it horizontally, and it will resume normal operation in 5 minutes.

FAQ

Q1: How long does the cooler's battery last when fully charged?

The battery capacity of the cooler is 299Wh. When the cooler's temperature is at 25°C (77° F) ambient temperature, it will run for 35.8 hours with 4°C (39.2° F) storage temperature.

Q2: What ambient temperature can the cooler be used normally?

The recommended ambient temperature is 32°F - 104°F (0 - 40°C).

Q3: What should I do when using a solar charger to charge Anker EverFrost Powered Cooler?

The solar input supports an 11-30V solar charger with an XT-60 connector. We recommend using Anker 100W Solar Panel to get the best compatibility.

Anker EverFrost Powered Cooler Warranty Policy

This Anker EverFrost Powered Cooler purchased on AnkerDirect and Anker authorized resellers to come with a limited warranty ("warranty") as set out below. By using an Anker EverFrost Powered Cooler, you agree to be bound by the terms of the Anker limited warranty.

2-year limited warranty for Anker EverFrost Powered Cooler and 3-year limited warranty for the compressor for purchases made on AnkerDirect and Anker authorized resellers. The warranty period starts from the date of purchase.

Anker's limited warranty is restricted to the country of purchase. The limited warranty is void on items taken outside the country they were originally bought in or shipped to directly from an authorized online purchase.

Exclusions and Limitations

Not covered under warranty:

- Products that are damaged or modified.
- Products operated with a damaged cord, plug, or output cable.
- Products that are disassembled.
- Products that are cleaned with harmful chemicals or detergents.
- Non-quality related issues (after 30 days of purchase).
- Products purchased from unauthorized resellers.
- Products without sufficient proof of purchase.
- Products that have been refunded.
- Products with an expired warranty.
- Lost, stolen, or free products.
- Damage from outside sources.
- Repairs through 3rd parties.
- Damage from misuse of products (including, but not limited to falls, use of the product in excess of its output rating, exposure of the product to rain or snow, extremely low air pressure, extreme temperatures).
- Purchases from illegitimate sources.
- Batteries that are damaged when not used for a long time or not properly maintained according to the user manual.

Anker is Not Liable For:

- Loss of data incurred from the use of Anker products.
- Returning personal items sent to Anker.

When returning items with a prepaid shipping label provided by Anker, Anker takes responsibility for any damage or loss incurred in transit. When returning items for non-quality issues, the buyer assumes responsibility for any damage or loss incurred in transit. Anker does not provide refunds for items damaged in transit due to non-quality related warranty claims.

Refund and Warranty Claims

For more details please refer to www.anker.com/anker-portable-power-station-warranty-policy

For warranty claims, you can send an email to:

US/CA/UK/DE/JP market: support@anker.com

MEA market: support.mea@anker.com

CN market: CED-CN@anker.com

Or you can call us at:

US/CA: +1 (800) 988 7973 UK: +44(0)1604 936 200

DE: +49(0)69 9579 7960 JP: +81 03 4455 7823

UAE: +971 8000 320 817 KSA: +966 8008 500 030

Kuwait: +965 2206 9086 Egypt: +20 8000 000 826

AU: +61 3 8331 4800 TR: +90(850)460 1414

RU: +8(800)511 8623 CN: +86 400 0550 036

KR: +82 02-1661-9246 IN: +91 1800 3138 831

Middle East & Africa: +971 520750842

Valid Proof of Purchase

Please refer to: <https://us.anker.com/policies/refund-policy>

Shipping Costs Must Be Covered by the Buyer in the Following Situations

Please refer to: <https://us.anker.com/policies/refund-policy>

This page is attached to the Anker warranty page, and Anker reserves the right of final interpretation of the content.

Register Your Anker PowerHouse Today

Why Register?

1. Hassle-Free Warranty: Confirm the 2-year limited warranty for your Anker EverFrost Powered Cooler and 3-year limited warranty for the compressor.
2. Fast Customer Service: Enjoy exclusive customer service and get what you need quickly.
3. Receive the Latest News: Get exclusive first looks at new products and instant updates on official events.



- Scan the QR code below to enter the smart self-service page for more information about your Anker EverFrost.



Customer service



2-Year Limited Warranty*

* Please note that your rights under applicable law governing the sale of consumer goods remain unaffected by the warranties given in this Limited Warranty.



Lifetime technical support



support@anker.com

support.mea@anker.com (For Middle East and Africa Only)



(US/CA) +1 (800)988 7973

(UK) +44 (0) 1604 936200

(DE) +49 (0) 69 9579 7960

(Middle East & Africa) +971 520750842

(UAE) +971 8000320817

(KSA) +966 8008500030

(Kuwait) +965 22069086

(Egypt) +20 8000000826

(AU) +61 3 8331 4800

(TR) +90 0850 460 14 14

(RU) +8 (800) 511-86-23

(India) +91 18003138831

(中国) +86 400 0550 036

(日本) 03 4455 7823

(한국) +82 02-1661-9246

注意



航空機に持ち込むことはできません。

安全にご使用いただくために

本製品を使用する際には、以下の警告・注意事項を必ずお守りください。

警告・注意に従わない場合、火事、感電、怪我につながる恐れがあります。

また、この取扱説明書は大切に保管してください。

◆本製品を廃棄する際のご注意

本製品は、家電リサイクル法（特定家庭用機器再商品化法）の対象商品です。

廃棄される場合は、家電リサイクル法に従い、適正な廃棄処理を行ってください。

家電リサイクル法では、ご使用済の家電製品を廃棄する場合は、収集・運搬料金、再商品化等料金（リサイクル料金）をお支払いの上、対象品を販売店や、市町村に適正に引き渡すことが求められています。

詳しくは、下記のウェブサイトをご確認ください。

一般社団法人 家電製品協会：<https://www.aeha.or.jp>

◆リチウムイオン蓄電池を廃棄する際のご注意

本製品は、バッテリーにリチウムイオン蓄電池を使用しています。お住まいの自治体のルールに従って廃棄いただくか、お近くの Anker Store へご持参ください。

注意

・ お子様、精神的または身体的な障がいをお持ちの方、知識や経験に乏しい方が本製品をご使用になる場合は、本製品の安全な使い方を指導・説明できる方の監視のもとご使用ください。

・ お子様の本製品で遊ぶことがないようにご注意ください。

・ 損傷したコードやプラグを使用しないでください。説明書にしたがった正しい使用方法で本製品が故障した場合は、カスタマーサポートまでお問合せください。

・ 付属のバッテリーの取り扱い時には、以下の情報および注意事項をよくお読みください：

・ バッテリータイプ：充電式リチウムイオンバッテリー（製品モデル：A17B5）

・ バッテリーを火や高温のオープンの中に廃棄したり、機械的に押しつぶしたり切断したりすると、爆発する恐れがあります。

・ 注意：破損したまたは改造されたバッテリーは、火事・爆発・怪我を引き起こす危険性があります。

・ 極端に気圧の低い環境にさらすと、爆発または引火性のある液体・ガスが発生する恐れがあります。また、本製品の使用・保管状態が適さない場合、バッテリーから電解液が漏れる可能性があります。電解液には触れないでください。誤って触れてしまった場合には、すぐに水で洗い流してください。電解液が目に入った場合は、流水で洗い流した後、すぐに医師の診察を受けてください。バッテリーから漏れた電解液が肌に付着すると、炎症や火傷の原因となります。

・ バッテリーを取り外す際は、本製品を AC アダプタから取り外してから行ってください。

・ 本製品を火気の近くで使用・保管しないでください。また炎天下の車内、トランク、荷台や直射日光下など高温になる場所で使用、保管しないでください。

・ 本製品はキャンプでの使用に適しています。

・ 本製品を雨にさらしたり、湿気の多い環境で使用したりしないでください。

・ 可燃性噴射剤を含むスプレー缶などの爆発物を本製品内に保管しないでください。

・ 庫内に氷や水を直接入れた状態で、冷温機能を使用しないでください。故障の原因になります。

・ 食材を直接庫内に入れないでください。抗菌処理されていないため、食材はラップかポリ袋などに入れてから庫内に入れてください。

・ 庫内に水や氷、ドライアイスを入れてください。感電・火災の原因になります。

・ 医薬品や検査資料、学術資料などの保管に使用しないでください。医療品の保存可能な精密機器ではありません。

・ 本製品を分解・改造・修理しないでください。これらの行為により、安全性やシステム性能が損なわれる恐れがあり、保証の対象外となります。

・ 本製品の修理は、弊社より認定を受けた者によって行われる必要があります。本製品に不具合が生じた場合は、ご自身および第三者による修理を行わず、弊社カスタマーサポートまでお問い合わせください。

・ 使用しない、または保守・点検お手入れする場合は製品の電源を切り、バッテリーを本体から抜いてください。また、電源コードをコンセント（シガーソケット）から抜いてください。

警告：AC アダプタからバッテリーを充電する際は付属の AC アダプタのみをご使用ください。

DC 電源に接続されている場合、本製品の仕様に記載されている電圧を超えて充電しないでください。



警告：本製品を使用する際は、電源コードが挟まったり損傷したりしていないことを確認してください。

警告：本製品の近くで複数のコンセントまたはポータブル電源を使用しないでください。

保管およびお手入れ方法

・ 本体の外装および庫内は、石けん水に浸した布をよく絞ってから拭いてください。水を含ませた布でふき取り、乾いた布でよく水気を拭きとってください。ガソリン、ベンジン、灯油類はプラスチックを溶かす作用があるので使用しないでください。また、本体を丸洗いはしないでください。故障の原因になります。

・ 庫内に水がたまったときは、水抜き穴の蓋を外してください。また、使用後は陰干しにして、乾燥させてください。

・ 定期的に点検して、吸気口を掃除機などで清掃してください。

・ 製品本体やバッテリーは、雨の中や湿った場所、または水分の残った状態で使用・放置・保管をしないでください。故障の原因になります。また、感電や火災の原因になります。



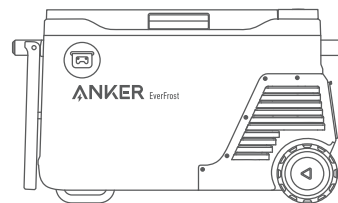
Bluetooth® のワードマークとロゴは、Bluetooth SIG, Inc. が所有する登録商標です。Anker Innovations Limited はライセンスに基づき、これらのマークの使用を許可されています。その他の商標および商標名は、それぞれの所有者に帰属します。

製造元：

Anker Innovations Limited
Room 1318-19, Hollywood Plaza, 610 Nathan Road, Mongkok, Kowloon, Hong Kong

本製品は、他の機器に組み込んで使用するものではありません。

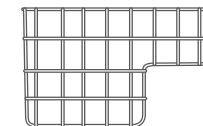
パッケージ内容



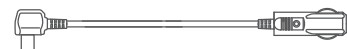
Anker EverFrost Powered Cooler 40



Anker Detachable Battery For Powered Cooler



収納バスケット



シガーソケット充電ケーブル



AC 充電ケーブル

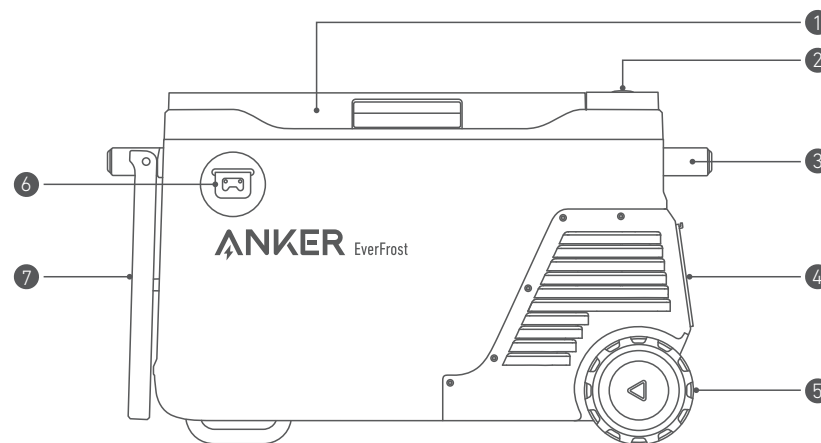


XT-60 ケーブル



取扱説明書

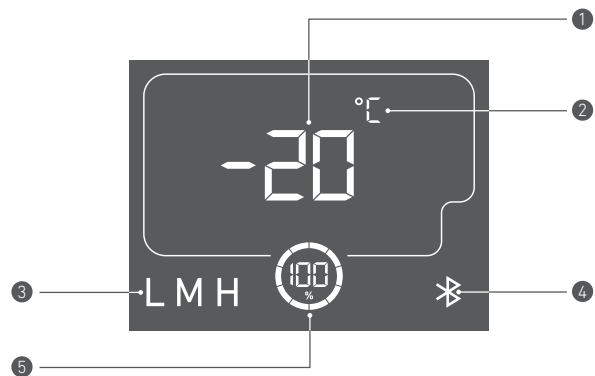
概要



① フタ	⑤ キャスター
② 液晶画面	⑥ 栓抜き
③ ハンドル	⑦ テーブル
④ バッテリーカバー	

テーブル使用時は、引き上げてからキックスタンドを製品本体側にはめ込んで固定します。

液晶画面

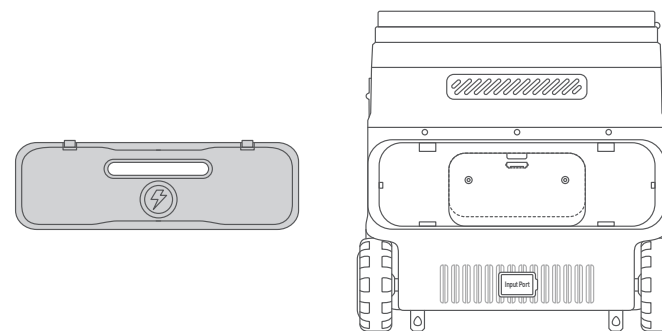


① 温度	④ Bluetooth
② 温度の単位	⑤ バッテリー残量 (%) (電源の供給にバッテリーを使用している場合)
③ 電圧保護レベル	

本製品への給電方法

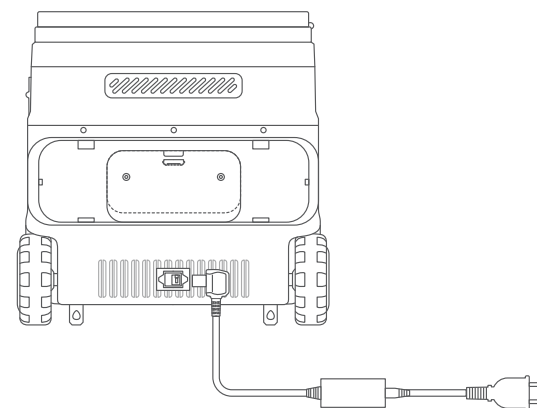
同時に複数の充電を行うことはお勧めしません。

バッテリーを使用しない場合



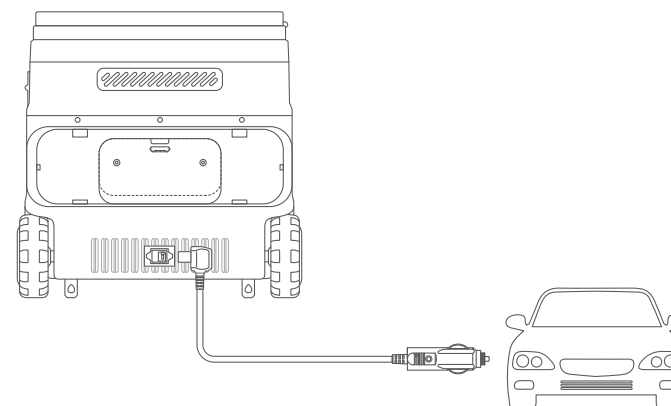
コンセントからの給電

AC 充電ケーブルをコンセントに挿し込み、本製品と接続します。

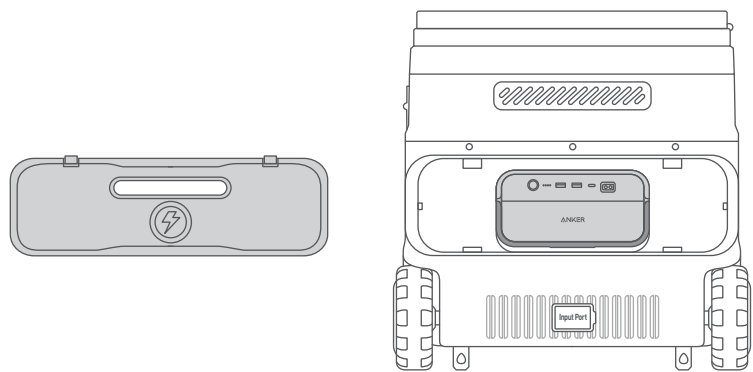


シガーソケットからの給電

シガーソケット充電ケーブルを車のシガーソケットに挿し込み、本製品と接続します。

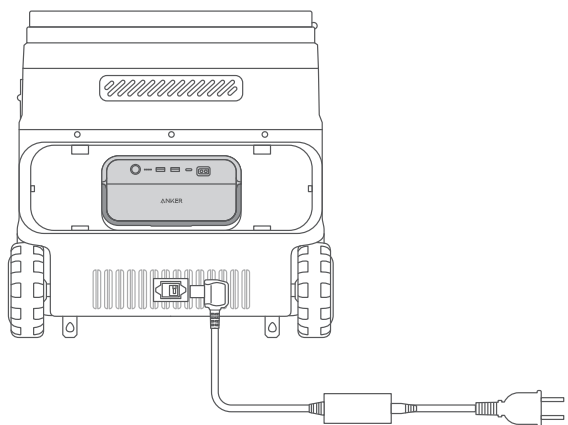


バッテリーを使用する場合



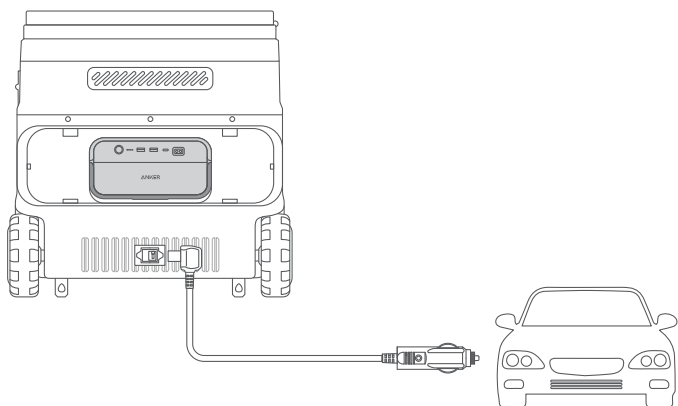
コンセントからの給電

AC 充電ケーブルをコンセントに挿し込み、本製品と接続します。



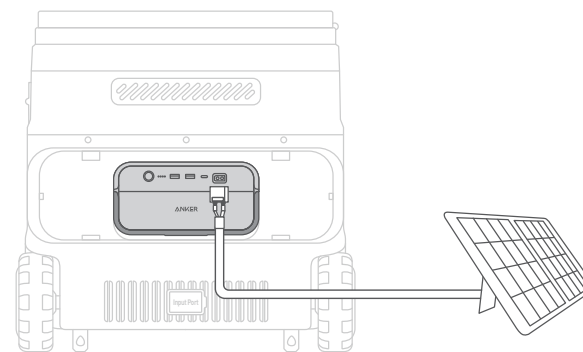
シガーソケットからの給電

シガーソケット充電ケーブルを車のシガーソケットに挿し込み、本製品と接続します。



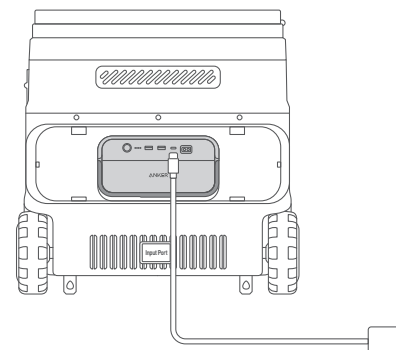
ソーラーパネルによる充電

XT-60 メスコネクタを備えたソーラーパネルに本製品を接続します。



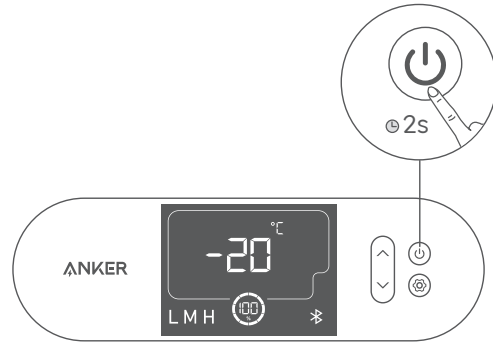
USB-C ポートからの充電

USB-C ケーブルをコンセントに挿し込み、本製品と接続します。

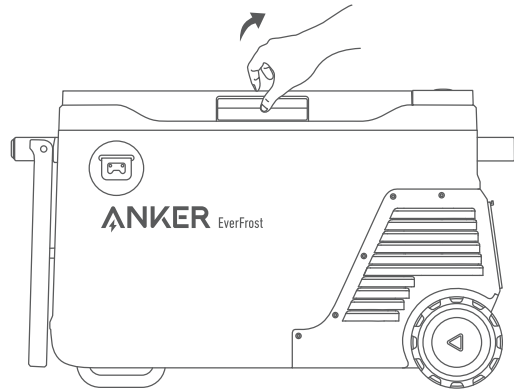


本製品の使用方法

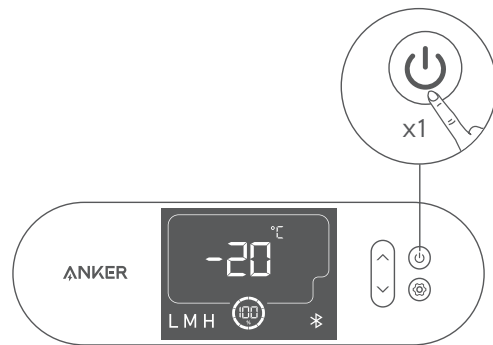
1. 電源ボタンを2秒間長押しして、本製品の電源をオンにします。電源がオンになると、液晶画面が点灯します。



2. フタを開けます。

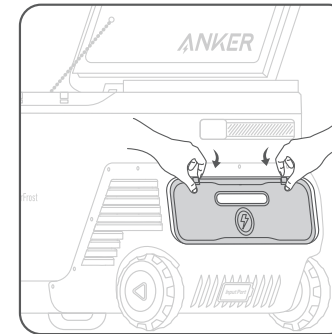


3. 電源ボタンを1回押して、液晶画面を点灯させます。

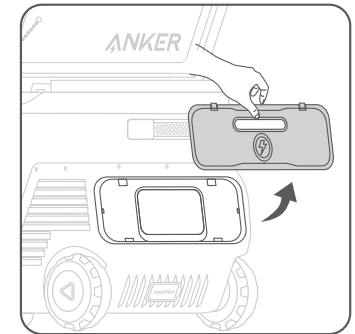


バッテリーの取り付け

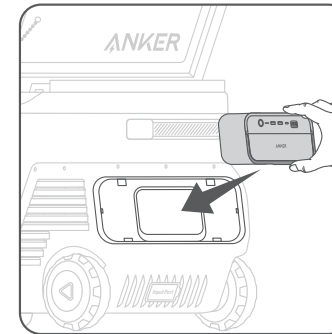
左右にあるツメを押し下げながらバッテリーカバーを取り外します。バッテリーを中に入れ、カチッと音がするまで押し込みます。次に、バッテリーカバーを元に戻します。



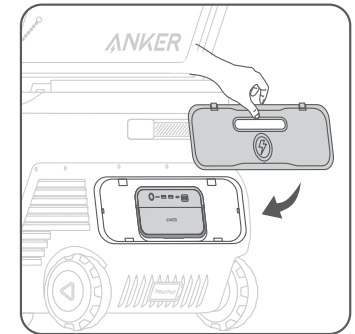
1



2



3

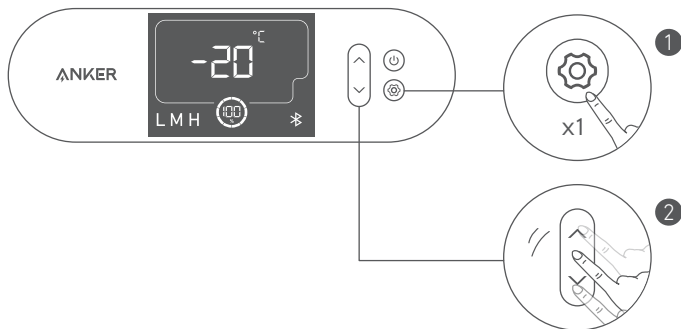


4

💡 バッテリーカバーは持ち上げると自動的に開きます。

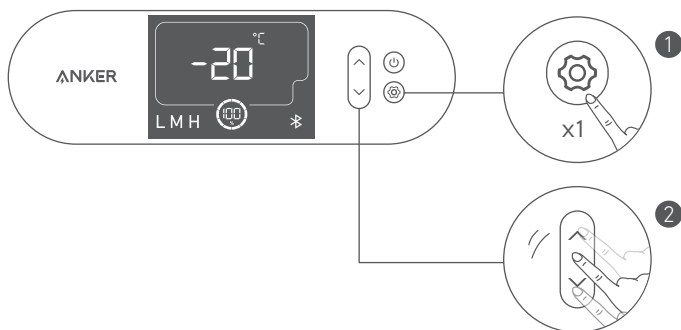
温度の設定

設定温度を変更するには、表示温度が点滅するまで設定ボタンを長押しします。上または下ボタンを押して温度を調節し、もう一度設定ボタンを押して確定します。



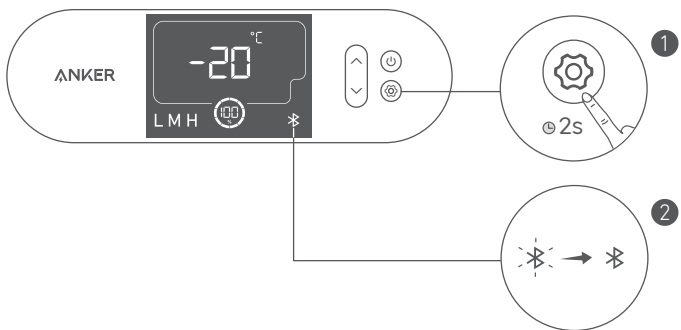
温度単位の設定

温度単位を変更するには、温度単位の表示が点滅するまで設定ボタンを長押しします。上または下ボタンを押して温度の単位(華氏と摂氏)を切り替え、もう一度設定ボタンを押して確定します。



Bluetooth 接続

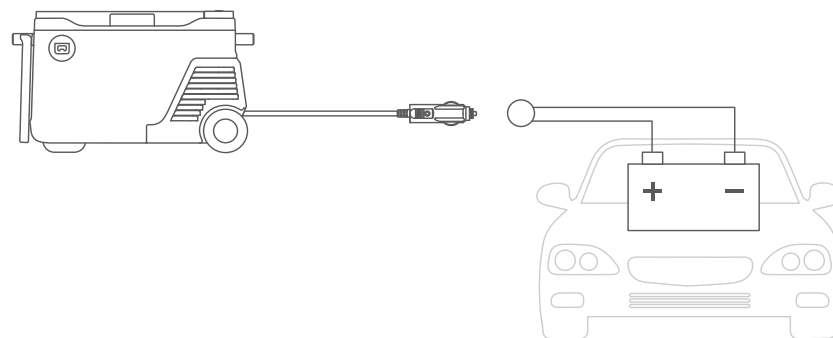
設定ボタンを2秒間長押しすると、Bluetoothがオンになり、画面上のBluetoothアイコンが点滅します。Bluetoothがオンになっているスマートフォンに自動的に接続され、Bluetoothアイコンが白く点灯します。



💡 12時間接続されないと、Bluetooth機能はオフになります。

車載バッテリーの保護レベル

車載バッテリーの保護レベルを変更するには、電圧保護レベルの表示が点滅するまで設定ボタンを長押しします。上または下ボタンを押してレベルを選択し、もう一度設定ボタンを押して確定します。設定した保護レベルに応じて、一定以下の電圧になると本製品の電源をオフにし車のバッテリー上がりを防ぎます。



車載バッテリー

保護レベルに応じた本製品の停止 / 運転条件

保護レベル	12V 車		24V 車	
	停止	運転	停止	運転
高 (H)	12.0V 以下	12.5V 以上	24.7V 以下	26.1V 以上
中 (M)	11.4V 以下	12.2V 以上	24.3V 以下	25.3V 以上
低 (L)	10.4V 以下	11.3V 以上	21.9V 以下	22.9V 以上

車載バッテリーの電圧が本製品の取り外し可能バッテリーを使用した場合の設定値を下回ると、取り外し可能バッテリーからの電源供給に切り替わります。車載バッテリーの電圧が回復すると電源供給は再び車載バッテリーへと切り替わります。

Anker アプリによる操作

Anker アプリを使用して、本製品を遠隔操作することができます。Anker アプリの使用方法については、以下 QR コードから Anker Japan 公式サイトをご確認ください。

ANKER Live Charged.



製品の仕様

庫内容積	43 L
バッテリー容量	299Wh
AC 入力電圧	100V-240V, 50Hz/60Hz
AC 入力電力	最大 95W
DC 入力	5.5A (12V) / 2.5A (24V)
定格電流 (AC)	1.2A - 0.7A
定格電流 (DC)	5.5A (12V) / 2.5A (24V)
発泡剤	C ₅ H ₁₀
冷媒ガス	R134a (34g)
気候クラス	SN/N/ST/T
サイズ	約 73.2 x 43.0 x 48.7cm
重さ (本体のみ)	約 21.8kg
冷蔵庫内の温度範囲	-20 ~ 20° C
動作温度範囲	0 ~ 40° C

トラブルシューティング

- フタ閉め忘れ防止ブザー：本製品のフタが 180 秒以上閉じられていない場合、ブザーが鳴ります。
- 本製品を 30 度以上の傾斜がある場所に設置すると、動作しなくなります。水平に置くと、5 分で通常の動作が再開されます。

よくある質問

Q1：満充電のバッテリーで、本製品を連続何時間使用できますか？

本製品のバッテリー容量は 299Wh です。本製品の周囲の温度が 25° C の場合、庫内の温度を 4° C に保ちながら約 35.8 時間動作します。

Q2：本製品が正常に動作する周囲の気温は何度ですか？

推奨する周囲の気温は 0 ~ 40° C です。

Q3：どのようなソーラーパネルで本製品を充電できますか？

XT-60 メスコネクタを備えた 11V-30V のソーラー充電器に対応しております。Anker 製の最大出力 100W 対応のソーラーパネルのご使用をお勧めします。

カスタマーサポート



最大 2 年保証（通常 18 ヶ月、Anker Japan 公式サイト会員登録で 2 年に延長）



テクニカルサポート



support@anker.com



03 4455 7823

Attention



Non autorisé à bord des avions.

Consignes de sécurité importantes

Pour réduire le risque de blessure, les utilisateurs doivent lire le manuel d'instructions.

AVERTISSEMENT : Lire tous les avertissements et instructions de sécurité. Le non-respect des avertissements et des instructions peut entraîner un choc électrique, un incendie et/ou des blessures graves.

Cet appareil n'est pas destiné à être utilisé par des personnes (y compris des enfants) dont les capacités physiques, sensorielles ou mentales sont réduites, ou qui manquent d'expérience et de connaissances, à moins qu'elles n'aient reçu une surveillance ou des instructions concernant l'utilisation de l'appareil par une personne responsable de leur sécurité.

Les enfants doivent être surveillés afin de s'assurer qu'ils ne jouent pas avec l'appareil.

Si le cordon d'alimentation est endommagé, il doit être remplacé par le fabricant, un agent de service ou une personne qualifiée afin d'éviter tout danger.

Les instructions pour les appareils incorporant des batteries qui sont destinées à être remplacées par l'utilisateur doivent comprendre les éléments suivants :

- Type de batterie : Batterie rechargeable au lithium-ion (A17B5)
- Jeter une batterie dans le feu ou dans un four chaud, l'écraser ou la découper mécaniquement peut entraîner une explosion.
- **ATTENTION :** Risque d'explosion si la batterie est remplacée par un type incorrect. Ne pas utiliser de piles non rechargeables !
- Une batterie soumise à une pression d'air extrêmement basse peut entraîner une explosion ou une fuite de liquide ou de gaz inflammable. Dans des conditions abusives, du liquide peut être éjecté de la batterie ; éviter tout contact. En cas de contact accidentel, rincer à l'eau. Si le liquide entre en contact avec vos yeux, consulter un médecin car il peut provoquer une irritation ou des brûlures.
- La batterie doit être retirée de l'appareil avant sa mise au rebut.
- L'appareil doit être débranché de l'alimentation secteur lors du retrait de la batterie.
- Ne pas jeter la batterie dans une source de chaleur ou dans le feu.
- Lors de la mise au rebut de piles ou de batteries secondaires, garder les piles ou les batteries de systèmes électrochimiques différents séparées les unes des autres.

AVERTISSEMENT : Pour recharger la batterie, utiliser uniquement le bloc d'alimentation amovible fourni avec l'appareil.

Lors du raccordement à l'alimentation CC, l'appareil ne doit être alimenté qu'à une très basse tension de sécurité correspondant au marquage sur l'appareil.



Bloc d'alimentation amovible

- Convient pour le camping.

- L'appareil ne doit pas être exposé à la pluie.

Ne pas stocker de substances explosives telles que des bombes aérosols avec un propulseur inflammable dans cet appareil.

AVERTISSEMENT : Lors du positionnement de l'appareil, s'assurer que le cordon d'alimentation n'est pas coincé ou endommagé.

AVERTISSEMENT : Ne pas placer de prises de courant multiples ou d'alimentations portables à l'arrière de l'appareil.

Une mise en garde contre le piégeage des enfants doit être incluse soit dans les instructions d'utilisation, soit dans un manuel d'utilisation et d'entretien fourni avec chaque réfrigérateur et doit inclure le texte suivant ou un texte équivalent :

AVERTISSEMENT : Risque de piégeage des enfants.

Avant de jeter votre ancien réfrigérateur ou congélateur :

- Retirer les portes.
- Laisser les étagères en place pour que les enfants ne puissent pas grimper facilement à l'intérieur.

Empêcher le démarrage involontaire. S'assurer que l'interrupteur est éteint avant de se connecter à la batterie, de la ramasser ou de transporter l'appareil. Le fait de porter l'appareil avec le doigt sur l'interrupteur ou d'alimenter l'appareil avec l'interrupteur allumé peut entraîner des accidents.

Déconnecter la batterie de l'appareil avant d'effectuer des réglages, de changer d'accessoires ou de ranger l'appareil. Ces mesures de sécurité préventives réduisent le risque de démarrage accidentel de l'appareil.

Recharger uniquement avec le chargeur spécifié par le fabricant. Un chargeur adapté à un type de batterie peut engendrer un risque d'incendie lorsqu'il est utilisé avec un autre type de batterie.

N'utiliser l'appareil qu'avec des blocs-piles spécialement conçus. L'utilisation de tout autre bloc-piles peut entraîner un risque de blessure et d'incendie.

Lorsque la batterie n'est pas utilisée, la tenir à l'écart d'autres objets métalliques, comme des trombones, des pièces de monnaie, des clés, des clous, des vis ou d'autres petits objets métalliques, qui peuvent connecter un terminal à un autre. Des risques de brûlures ou d'incendie peuvent survenir si les bornes sont court-circuitées.

Dans des conditions abusives, du liquide peut être éjecté de la batterie ; éviter tout contact. En cas de contact accidentel, rincer à l'eau. Si du liquide entre dans vos yeux, demander une aide médicale.

Le liquide éjecté de la batterie peut provoquer une irritation ou des brûlures.

Ne pas utiliser une batterie ou un appareil endommagé ou modifié car ils peuvent présenter un comportement imprévisible entraînant une explosion ou un risque de blessure.

Ne pas exposer un bloc-piles ou un appareil au feu ou à une température excessive. L'exposition au feu ou à une température supérieure à 130 °C peut provoquer une explosion.

Suivre toutes les instructions de charge et ne pas charger la batterie ou l'appareil en dehors de la plage de températures spécifiée dans les instructions. Une charge incorrecte ou à une température en dehors de la plage spécifiée peut endommager la batterie et augmenter le risque d'incendie.

Faire effectuer l'entretien par un réparateur qualifié utilisant uniquement des pièces de rechange identiques. Cela permettra de garantir la sécurité du produit.

Ne pas modifier ou ne pas tenter de réparer l'appareil ou la batterie, sauf si cela est indiqué dans les instructions d'utilisation et d'entretien.

La batterie doit être utilisée avec l'adaptateur Anker (GM95-145600-D) pour le chargement.

Ne pas exposer le chargeur à la pluie, à l'humidité ou à la neige.

Pour réduire le risque d'endommager la fiche et le cordon de l'allume-cigare, tirer sur la fiche plutôt que sur le cordon lorsque vous débranchez le chargeur.

S'assurer que le cordon est placé de façon à ce qu'il ne soit pas piétiné, qu'on ne trébuche pas dessus ou qu'il ne soit pas soumis à des dommages ou à des contraintes.

Ne pas utiliser le chargeur avec un cordon ou un connecteur d'allume-cigare endommagé, le remplacer immédiatement.

Ne pas utiliser le chargeur s'il a reçu un coup violent, s'il est tombé ou s'il a été endommagé de quelque manière que ce soit.

Ne pas démonter le chargeur. Le confier à un réparateur qualifié si un entretien ou une réparation est nécessaire. Un remontage incorrect peut entraîner un risque de choc électrique ou d'incendie.

Pour réduire le risque de choc électrique, débrancher le chargeur avant d'effectuer toute opération d'entretien ou de nettoyage. La désactivation des commandes ne réduira pas ce risque.

Veuillez noter que l'appareil doit être correctement assemblé conformément aux instructions d'assemblage avant d'être utilisé.

Expliquer et décrire l'emplacement, la fonction et le fonctionnement de chaque commande de l'appareil, y compris tous les dispositifs actionnés par l'utilisateur destinés à réduire les risques d'incendie, d'électrocution ou de blessures aux personnes. Veuillez être mis en garde contre la falsification de tels appareils.



Ce symbole indique que ce produit ne doit pas être traité comme un déchet ménager. Au lieu de cela, il doit être remis au point de collecte applicable pour le recyclage des équipements électriques et électroniques.

Déclaration FCC

Cet appareil est conforme à la partie 15 des règles de la FCC. Le fonctionnement est soumis aux deux conditions suivantes : (1) l'appareil ne doit pas produire d'interférences nuisibles, et (2) l'utilisateur de l'appareil doit accepter tout brouillage radioélectrique subi, même si celui-ci est susceptible d'en compromettre le fonctionnement.

Avertissement : Les changements ou modifications qui ne sont pas expressément approuvés par la partie responsable de la conformité peuvent annuler l'autorité de l'utilisateur à utiliser l'équipement.

Remarque : Cet équipement a été testé et déclaré conforme aux limites pour appareils numériques de classe B, selon la Section 15 des règlements de la FCC. Ces limites sont conçues pour fournir une protection raisonnable contre les interférences nuisibles dans une installation

résidentielle.

Cet équipement produit, utilise et peut émettre de l'énergie radio électrique et, s'il n'est pas installé et utilisé conformément aux instructions, peut provoquer des interférences nuisibles aux communications radio. Cependant, il n'y a aucune garantie que des interférences ne se produiront pas dans une installation particulière. Si cet équipement provoque des interférences nuisibles à la réception des signaux de radio ou de télévision, ce qui peut être détecté en mettant l'équipement sous et hors tension, l'utilisateur est invité à essayer de corriger le problème par l'un des moyens suivants :

- (1) Réorienter ou repositionner l'antenne de réception.
- (2) Éloigner l'équipement du poste de réception.
- (3) Brancher l'équipement sur une prise appartenant à un circuit différent de celui du récepteur.
- (4) Demander de l'aide auprès du revendeur ou d'un technicien radio/TV expérimenté.

L'importateur suivant est la partie responsable.

Nom de l'entreprise : Fantasia Trading LLC

Adresse : 5350 Ontario Mills Pkwy, Suite 100, Ontario, CA 91764

Téléphone : +1-800-988-7973

Déclaration de conformité à l'exposition aux RF

Cet équipement est conforme aux limites d'exposition aux radiations FCC/IC fixées pour un environnement non contrôlé. Cet équipement doit être installé et utilisé avec une distance minimale de 20 cm entre le radiateur et votre corps.

Cet équipement est conforme aux limites d'exposition aux radiations FCC/IC établies pour un environnement non contrôlé. Cet équipement doit être installé et utilisé avec une distance minimale de 20 cm entre le radiateur et votre corps.

Déclaration IC

Cet appareil est conforme aux RSS exempts de licence d'Innovation, Science et Développement économique Canada. Le fonctionnement est soumis aux deux conditions suivantes : (1) Cet appareil ne doit pas produire d'interférences nuisibles, et (2) cet appareil doit accepter tout brouillage radioélectrique subi, même si celui-ci est susceptible d'en compromettre le fonctionnement.

L'appareil est conforme aux limites d'intensité de champ RF, et les utilisateurs peuvent obtenir des informations sur l'exposition aux RF et la conformité.

Cet appareil numérique de classe B est conforme à la norme canadienne ICES-003.

Cet appareil numérique de la classe B est conforme à la norme NMB-003 du Canada.

CAN ICES-003 (B) / NMB-003 (B)



Bluetooth: La marque verbale et les logos Bluetooth® sont des marques déposées appartenant à Bluetooth SIG, Inc. et toute utilisation de ces marques par Anker Innovations Limited se fait sous licence. Les autres marques et noms commerciaux sont ceux de leurs détenteurs respectifs.

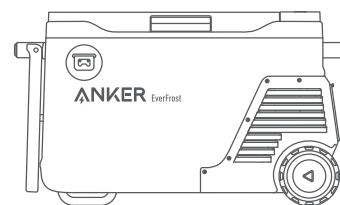
Fabricant :

Anker Innovations Limited

Room 1318-19, Hollywood Plaza, 610 Nathan Road, Mongkok, Kowloon, Hong Kong

Cet appareil de réfrigération n'est pas destiné à être utilisé comme un appareil encastré.

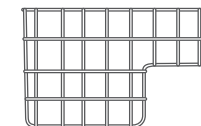
Contenu de la boîte



Anker EverFrost Powered Cooler 40



Batterie Anker pour refroidisseur motorisé



Panier de rangement



Câble de charge pour véhicule



Adaptateur CA et câble de charge

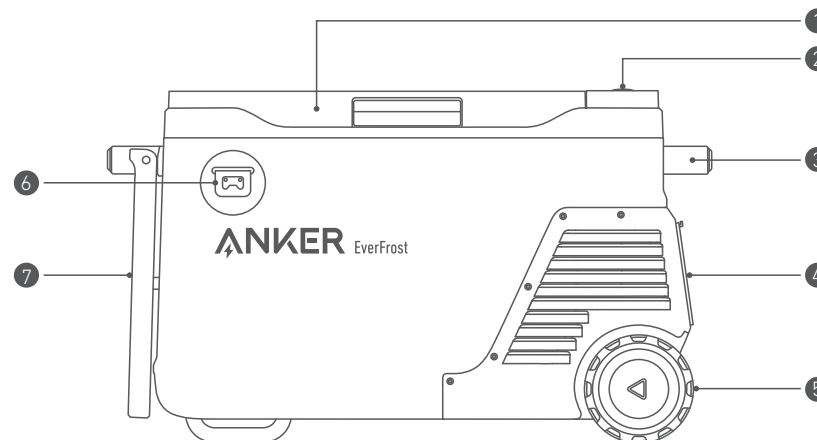


Câble XT-60



Manuel d'utilisation

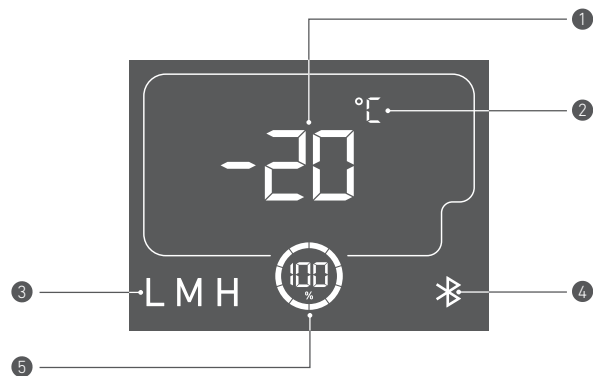
Aperçu



① Couvercle de glacière	⑤ Roues
② Écran LCD	⑥ Ouvre-bouteille
③ Poignée	⑦ Table à plateaux
④ Couvercle de batterie	

Placez le plateau et installez la béquille sous la glacière.

Écran LCD

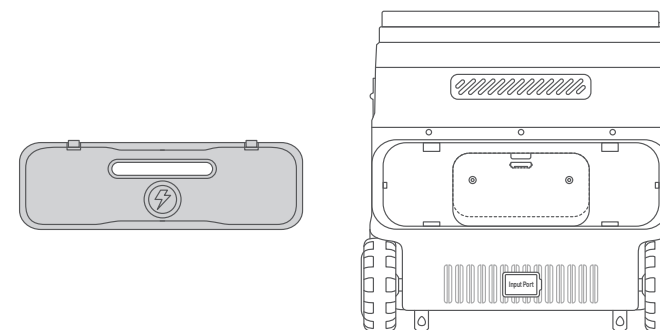


① Température	④ Bluetooth
② Unité de température	⑤ Pourcentage de batterie restante (en cas d'utilisation de la batterie pour l'alimentation)
③ Niveau de protection contre la surtension	

Alimentation de votre glacière

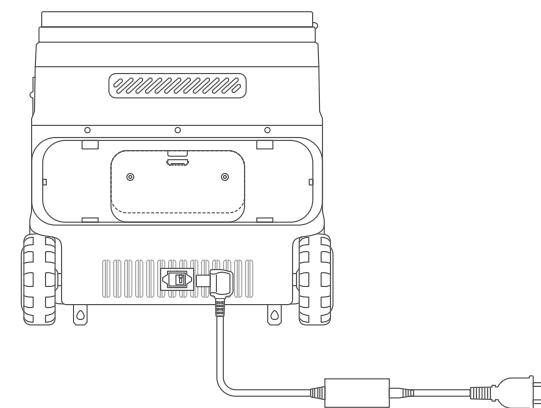
Il est déconseillé d'utiliser plusieurs méthodes de charge en même temps.

Sans la batterie



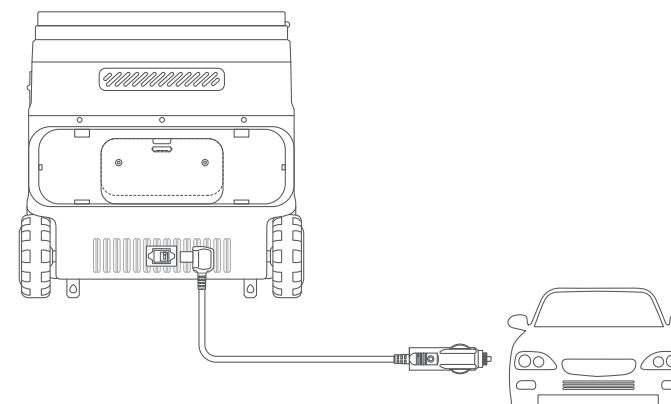
Alimentation CA

Alimentez la glacière en la connectant à une prise murale à l'aide du câble de charge CA.

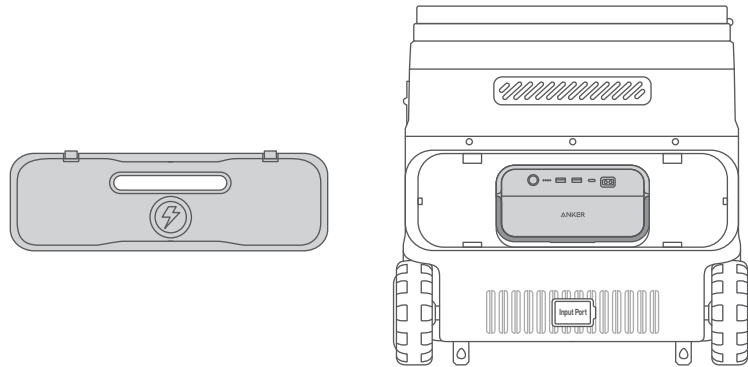


Alimentation par voiture

Connectez la glacière au port de sortie d'une voiture à l'aide du câble de charge pour voiture.

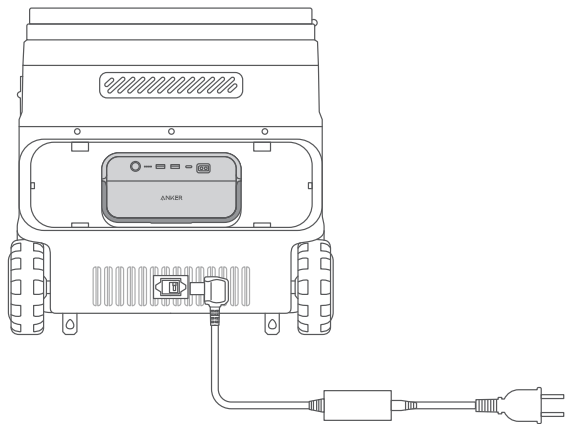


Avec la batterie



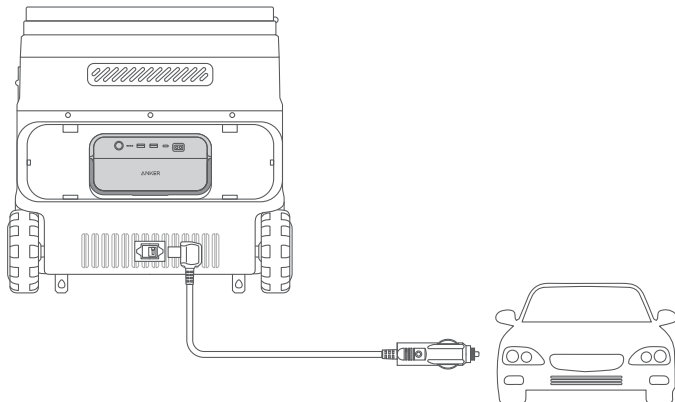
Alimentation CA

Alimentez la glacière en la connectant à une prise murale à l'aide du câble de charge CA.



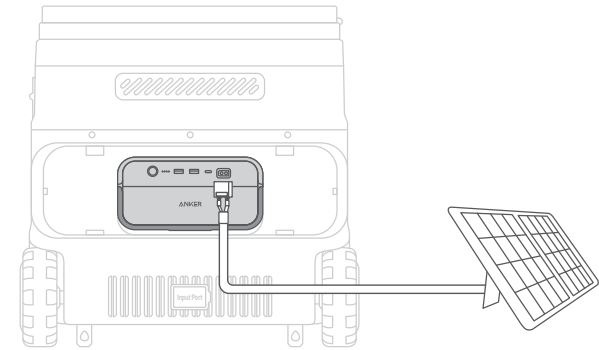
Alimentation par voiture

Connectez la glacière au port de sortie d'une voiture à l'aide du câble de charge pour voiture.



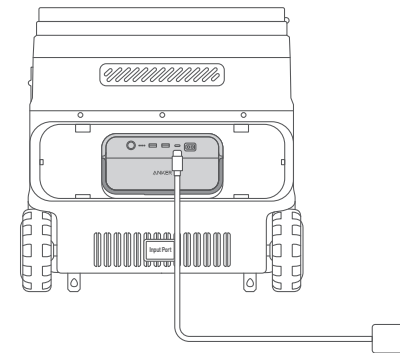
Recharge par panneau solaire

Alimentez la glacière en connectant la batterie à un panneau solaire à l'aide d'un câble XT-60 à XT-60.



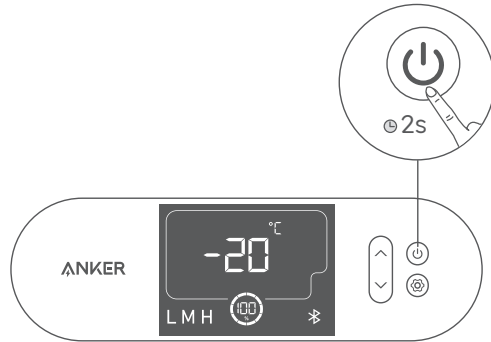
Recharge par USB-C

Alimentez la glacière en connectant la batterie à une prise murale à l'aide du câble USB-C.

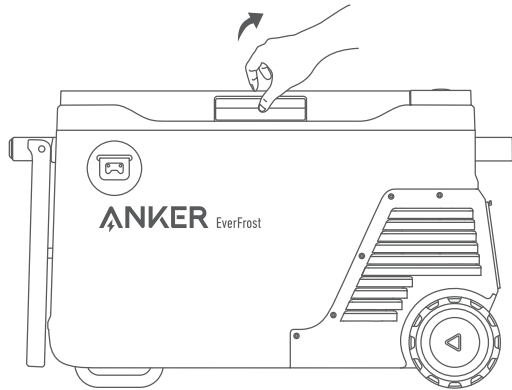


Utilisation de votre glacière

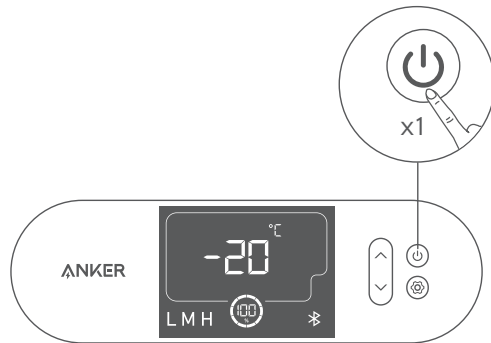
1. Appuyez sur le bouton d'alimentation pendant deux secondes pour allumer votre glacière. L'écran LCD s'allume.



2. Poussez le couvercle vers le haut pour ouvrir la glacière.

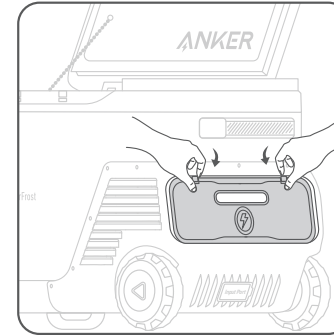


3. Appuyez une fois sur le bouton d'alimentation pour allumer l'écran LCD.

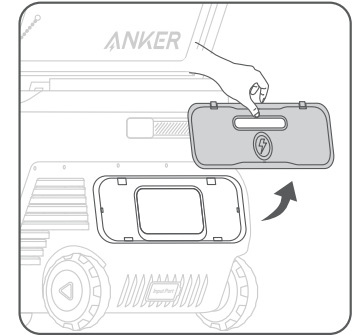


Installation de la batterie

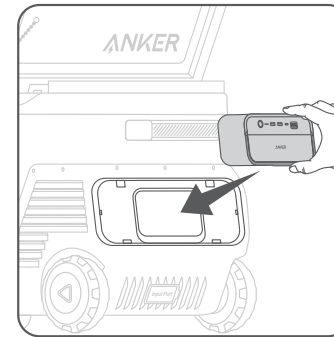
Appuyez sur les boutons-pression pour retirer le couvercle de la batterie. Placez la batterie à l'intérieur et vous entendrez un clic lorsque l'installation est réussie. Remettez ensuite le couvercle de la batterie en place.



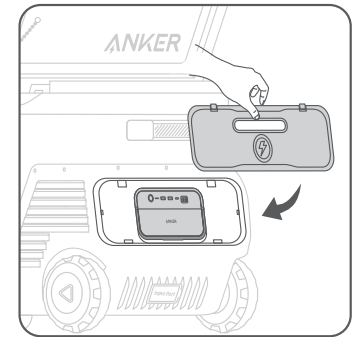
1




2



3



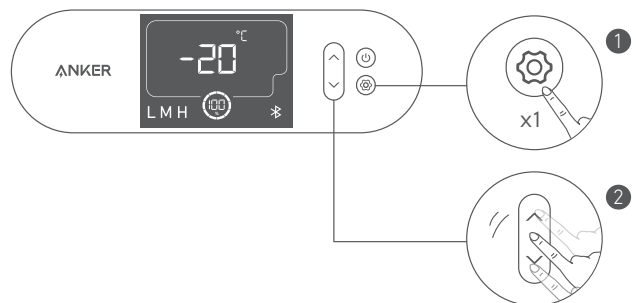
4

 Le couvercle de la batterie s'ouvre automatiquement lorsqu'on le soulève.

Réglage de la température

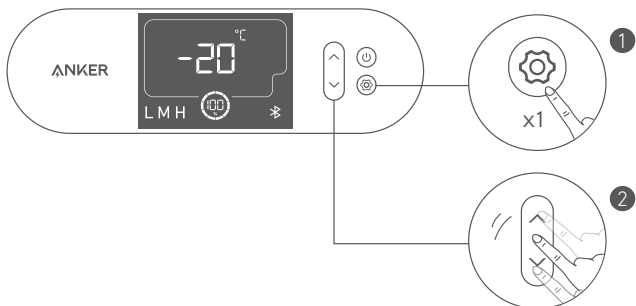
Pour passer en mode de réglage de la température, appuyez sur le bouton de réglage jusqu'à ce que le chiffre de la température clignote.

Appuyez sur les boutons haut ou bas pour régler la température de la zone, et confirmez votre température en appuyant à nouveau sur le bouton de réglage.



Réglage de l'unité de température

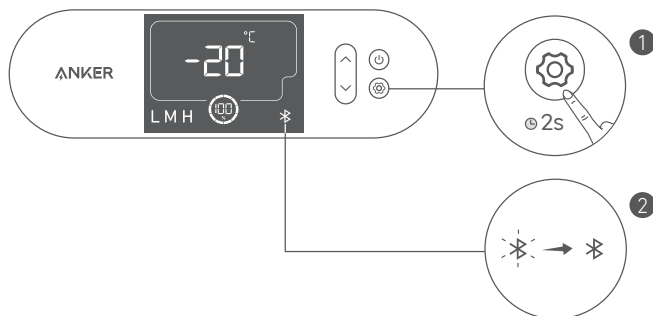
Pour passer en mode de réglage de la température, appuyez sur le bouton de réglage jusqu'à ce que l'icône de l'unité de température clignote. Appuyez sur le bouton haut ou bas pour choisir entre Celsius et Fahrenheit et confirmez l'unité en appuyant à nouveau sur le bouton de réglage.



Bluetooth

Appuyez sur le bouton des paramètres pendant 2 secondes pour activer le Bluetooth. L'icône Bluetooth sur l'écran clignote.

Il se connectera automatiquement à votre téléphone avec le Bluetooth activé, et l'icône deviendra blanche fixe.

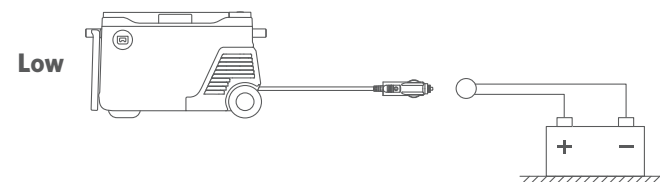


La fonction Bluetooth s'éteint après 12 heures en l'absence de connexion.

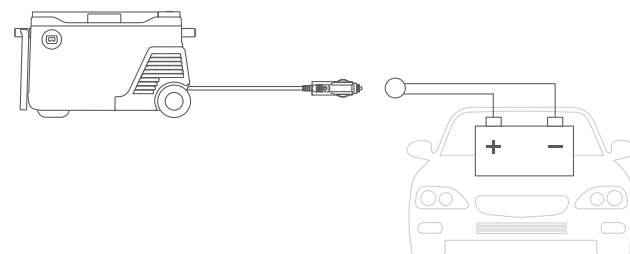
Degrés de protection de batterie de voiture

Pour passer en mode de réglage du niveau de tension, appuyez sur le bouton de réglage jusqu'à ce que l'icône du niveau de tension clignote. Appuyez sur le bouton haut ou bas pour choisir entre L/M/H et confirmez la sélection en appuyant à nouveau sur le bouton de réglage.

Sélectionnez la vitesse M/H lorsque le produit est alimenté par une voiture. Il est recommandé de sélectionner la vitesse L lorsque le produit est alimenté par une source d'énergie indépendante.



Medium/High



	12 V		24 V	
	Tension de fonctionnement	Tension de démarrage	Tension de fonctionnement	Tension de démarrage
Élevée	12 V	12,5 V	24,7 V	26,1 V
Moyenne	11,4 V	12,2 V	24,3 V	25,3 V
Faible	10,4 V	11,3 V	21,9 V	22,9 V

Lorsque la tension de la batterie de la voiture est inférieure à la valeur définie sans la batterie, votre glacière s'arrête de fonctionner.

Lorsque la tension de la batterie de la voiture est inférieure à la valeur définie, la glacière s'alimente sur sa propre batterie. Une fois la batterie de la voiture rétablie, elle passe à la source d'alimentation de la batterie de la voiture.

Application Anker pour un contrôle intelligent

Vous pouvez contrôler à distance votre glacière électrique à l'aide de l'application Anker. Veuillez télécharger l'application et son manuel d'utilisation en scannant ce code QR.

Connectez l'appareil à un réseau avant d'utiliser l'application pour la première fois. Une fois la connexion réussie, vous pouvez connecter vos appareils hors réseau.



Spécifications

Capacité de stockage	43 L
Capacité de la batterie	299 Wh
Tension d'entrée CA	100V-240V, 50Hz/60Hz
Puissance d'entrée CA	95W Max
Entrée CC	5,5A(12V)/ 2,5A(24V)
Réfrigérant	R134a (34g)
Taille	73,2 x 43,0 x 48,7cm
Poids net	21,8kg/48lb
Plage de température dans le réfrigérateur	-20 ~ 20° C / -4~68° F
Plage de températures de fonctionnement	0 - 40°C / 32 ~ 104° F

Dépannage

- Rappel à la fermeture des portes : Le buzzer envoie un rappel si le couvercle de la glacière n'est pas fermé pendant plus de 180 secondes.
- La glacière s'arrête de fonctionner si l'angle d'inclinaison dépasse 30 degrés. Placez-la à l'horizontale, et elle reprendra son fonctionnement normal en 5 minutes.

FAQ

Q1: Quelle est la durée de vie de la batterie de la glacière lorsqu'elle est complètement chargée ?

La capacité de la batterie de la glacière est de 299 Wh. Lorsque la température de la glacière est de 25 °C (77 ° F), elle fonctionne pendant 35,8 heures avec une température de stockage de 4 °C (39,2 ° F).

Q2: À quelle température ambiante la glacière peut-elle être utilisée normalement ?

La température ambiante recommandée est de 0 à 40 °C.

Q3: Que dois-je faire lorsque j'utilise un chargeur solaire pour charger la Anker EverFrost Powered Cooler ?

L'entrée solaire prend en charge un chargeur solaire 11-30 V avec un connecteur XT-60. Nous recommandons d'utiliser le panneau solaire Anker 100 W pour obtenir la meilleure compatibilité.

Anker EverFrost Powered Cooler Politique de garantie

Cette Anker EverFrost Powered Cooler achetée sur AnkerDirect et les revendeurs agréés Anker bénéficie d'une garantie limitée (« garantie ») telle que définie ci-dessous. En utilisant une Anker EverFrost Powered Cooler, vous acceptez d'être lié par les termes de la garantie limitée Anker.

Garantie limitée de 2 ans pour la Anker EverFrost Powered Cooler et garantie limitée de 3 ans pour le compresseur pour les achats effectués auprès des revendeurs agréés AnkerDirect et Anker. La période de garantie commence à partir de la date d'achat.

La garantie limitée Anker est restreinte au pays d'achat. La garantie limitée est nulle et non avenue pour les articles emportés en dehors du pays où ils ont été achetés à l'origine ou expédiés directement à partir d'un achat en ligne autorisé.

Exclusions et limitations

Non couvert par la garantie :

- Produits endommagés ou modifiés.
- Produits utilisés avec un cordon, une fiche ou un câble de sortie endommagé.
- Produits démontés.
- Produits nettoyés avec des produits chimiques ou des détergents nocifs.
- Problèmes non liés à la qualité (après 30 jours d'achat).
- Produits achetés auprès de revendeurs non autorisés.
- Produits sans preuve d'achat suffisante.
- Produits qui ont été remboursés.
- Produits avec une garantie expirée.
- Produits perdus, volés ou gratuits.
- Dommages provenant de sources extérieures.
- Réparations par des tiers.
- Dommages résultant d'une mauvaise utilisation des produits (y compris, mais sans s'y limiter, les chutes, l'utilisation du produit au-delà de sa puissance nominale, l'exposition du produit à la pluie ou à la neige, une pression atmosphérique extrêmement faible, des températures extrêmes).
- Achats auprès de sources illégitimes.
- Les batteries qui sont endommagées lorsqu'elles ne sont pas utilisées pendant une longue période ou ne sont pas correctement entretenues conformément au manuel d'utilisation.

Anker n'est pas responsable de :

- Perte de données résultant de l'utilisation des produits Anker.
- Renvoi des articles personnels envoyés à Anker.

En cas de retour d'articles avec une étiquette d'expédition prépayée fournie par Anker, Anker assume la responsabilité de tout dommage ou perte encouru pendant le transport. En cas de retour d'articles pour des raisons de non-qualité, l'acheteur assume la responsabilité de tout dommage ou de toute perte subis pendant le transport. Anker ne rembourse pas les articles endommagés pendant le transport en raison de demandes de garantie non liées à la qualité.

Demandes de remboursement et de garantie

Pour plus de détails, veuillez vous référer à www.anker.com/anker-portable-power-station-warranty-policy

Pour les demandes de garantie, vous pouvez envoyer un e-mail à :

Marché US/CA/UK/DE/JP : support@anker.com

Marché MEA : support.mea@anker.com

Marché CN : CED-CN@anker.com

Ou vous pouvez nous appeler aux numéros suivants :

US/CA: +1 (800) 988 7973 UK: +44(0)1604 936 200

DE: +49(0)69 9579 7960 JP: +81 03 4455 7823

UAE: +971 8000 320 817 KSA: +966 8008 500 030

Kuwait: +965 2206 9086 Egypt: +20 8000 000 826

AU: +61 3 8331 4800 TR: +90(850)460 1414

RU: +8(800)511 8623 CN: +86 400 0550 036

KR: +82 02-1661-9246 IN: +91 1800 3138 831

Middle East & Africa: +971 520750842

Preuve d'achat valide

Veuillez vous référer au site : <https://us.anker.com/policies/refund-policy>

Les frais d'expédition doivent être pris en charge par l'acheteur dans les situations suivantes

Veuillez vous référer au site : <https://us.anker.com/policies/refund-policy>

Cette page est jointe à la page de garantie Anker, et Anker se réserve le droit d'interprétation finale du contenu.

Enregistrez votre Anker EverFrost dès aujourd'hui

Pourquoi s'enregistrer ?

- 1. Garantie sans tracas :** Confirmez la garantie limitée de 2 ans pour votre Anker EverFrost Powered Cooler et la garantie limitée de 3 ans pour le compresseur.
- 2. Service client rapide :** Bénéficiez d'un service client exclusif et obtenez rapidement ce dont vous avez besoin.
- 3. Recevez les dernières nouvelles :** Obtenez des aperçus exclusifs des nouveaux produits et des mises à jour instantanées sur les événements officiels.



- Scannez le code QR ci-dessous pour accéder à la page de libre-service intelligent pour plus d'informations sur votre Anker EverFrost.



Service clientèle



Garantie limitée de 2 ans



Assistance technique à vie



support@anker.com
support.mea@anker.com (Pour le Moyen-Orient et l'Afrique uniquement)



(US/CA) +1 (800)988 7973
(UK) +44 (0) 1604 936200
(DE) +49 (0) 69 9579 7960
(Middle East & Africa) +971 520750842
(UAE) +971 8000320817
(KSA) +966 8008500030
(Kuwait) +965 22069086
(Egypt) +20 8000000826
(AU) +61 3 8331 4800
(TR) +90 0850 460 14 14
(RU) +8 (800) 511-86-23
(India) +91 18003138831
(中国) +86 400 0550 036
(日本) 03 4455 7823
(한국) +82 02-1661-9246